

GENERAL ALL-TERRAIN CRANES

Tadano ATF 40G-2



Weights



Axle	1	2	Total weight (t)
Tons	12	12	24*

*including 1.4t counterweight, 9m boom extension, 10t hook block, 4x4 drive, tyres 445/95 R 25 (16.00 R 25).

Lifting Capacity



Load (t)	No. of sheaves	No. of lines	Weight (kg)
29.1	5	9	280
19.6	3	6	200
9.9	1	3	150
4	-	1	75

Working Speeds



	1	2	3	4	5	6	R	1	2	3	4	5	6	R	1	2	3	4	5	6	R							
(km/h)	5	7	11	17	27	41	5	10	15	24	36	56	85	10	5	8	12	19	29	44	5	10	16	26	39	61	85	11
	74%							40%							65%							36%						
	385/95 R 25 (14.00 R 25)														445/95 R 25 (16.00 R 25)													

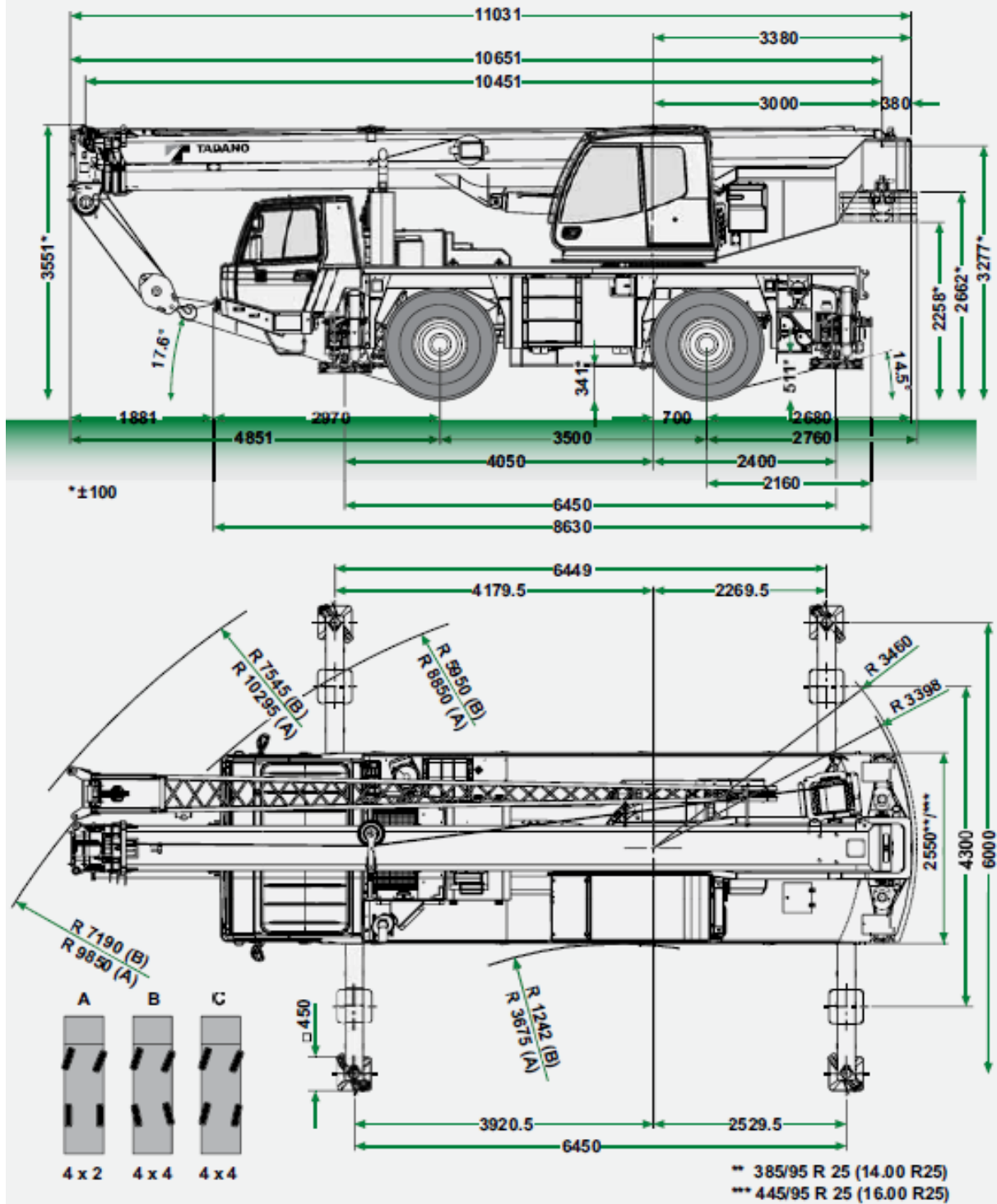


Drive	Infinitely variable	Rope diameter / length	Max. single line pull
	0 – 130 m/min single line	14 mm / 150 m	33 kN
	0 – 2 min ⁻¹		
	Approx. 36 seconds to reach -0.5° to 79° boom angle		
	Approx. 80 seconds for boom extension from 10.45 m to 35.2 m		

GENERAL ALL-TERRAIN CRANES

Tadano ATF 40G-2

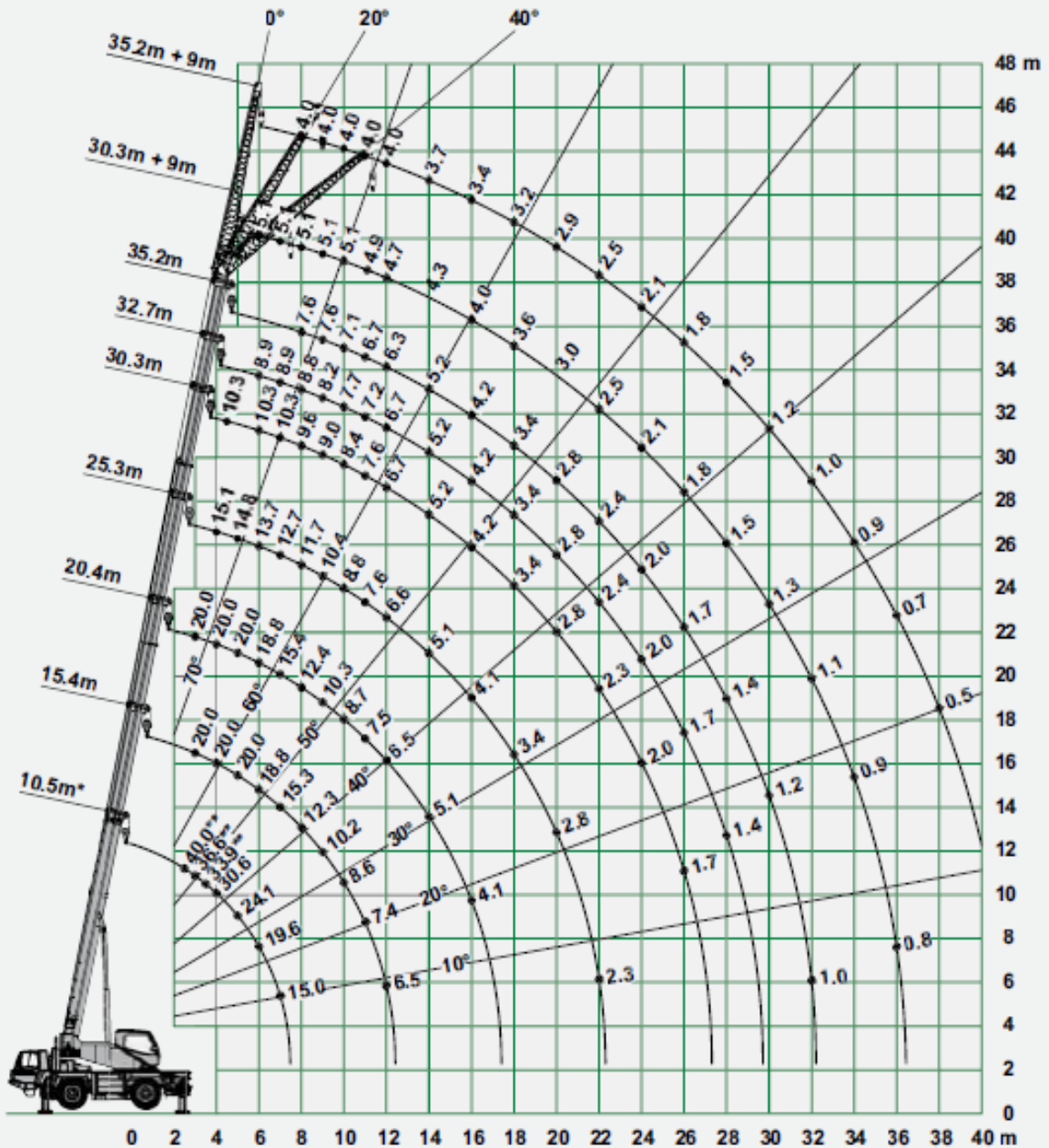
Dimensions



GENERAL ALL-TERRAIN CRANES

Tadano ATF 40G-2

Lifting Heights




* over rear ** with additional lifting equipment

GENERAL ALL-TERRAIN CRANES

Tadano ATF 40G-2

Lifting Capacities



 m	10.5m*	10.5m	15.4m	20.4m	25.3m	30.3m	32.7m	35.2m
2.5	40**							
3	36.6**	32.1**	20	20	15.1			
3.5	33.9**	29	20	20	15.1			
4	30.6	26.4	20	20	15.1			
4.5	27	24.2	20	20	15.1	10.3		
5	24.1	22.2	20	20	14.8	10.3		
6	19.6	18.6	18.8	18.8	13.7	10.3	8.9	7.6
7	15	15	15.3	15.4	12.7	10.3	8.9	7.6
8			12.3	12.4	11.7	9.6	8.8	7.6
9			10.2	10.3	10.4	9	8.2	7.6
10			8.6	8.7	8.8	8.4	7.7	7.1
11			7.4	7.5	7.6	7.6	7.2	6.7
12			6.5	6.5	6.6	6.7	6.7	6.3
14				5.1	5.1	5.2	5.2	5.2
16				4.1	4.1	4.2	4.2	4.2
18					3.4	3.4	3.4	3.4
20					2.8	2.8	2.8	2.8
22					2.3	2.3	2.4	2.4
24						2	2	2
26						1.7	1.7	1.7
28							1.4	1.4
30								1.2
32								1

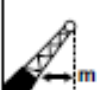
* over rear ** with additional lifting equipment

GENERAL ALL-TERRAIN CRANES

Tadano ATF 40G-2

Lifting Capacities

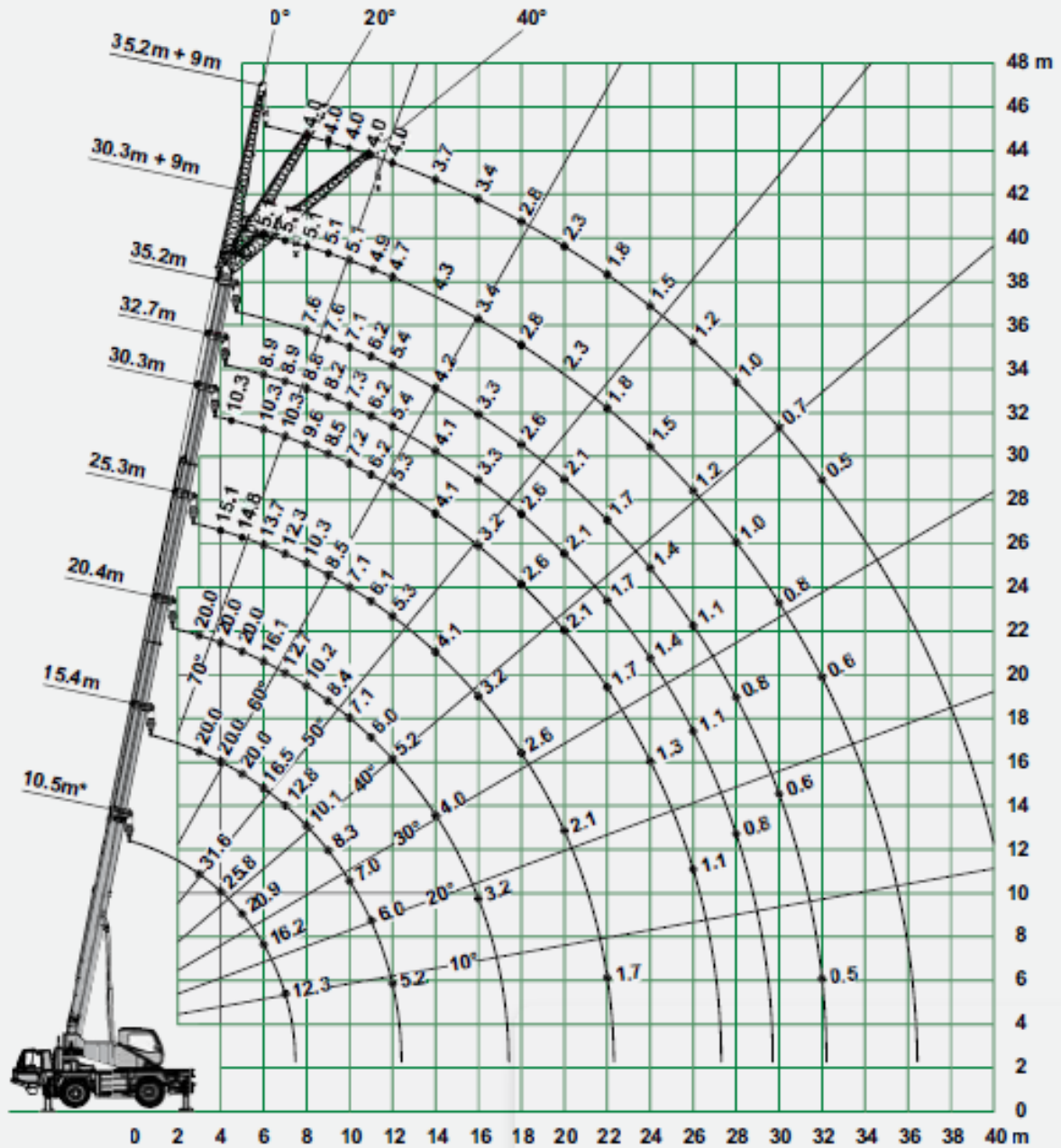


	10.5m + 9m			30.3m + 9m			35.2m + 9m		
	0°	20°	40°	0°	20°	40°	0°	20°	40°
3	6.5								
3.5	6.5								
4	6.5	6.5							
4.5	6.5	6.5							
5	6.5	6.4							
6	6.5	6		5.1					
7	6.5	5.6	4.7	5.1					
8	6.4	5.4	4.5	5.1			4		
9	6	5.1	4.4	5.1	4.6		4		
10	5.6	4.9	4.2	5.1	4.4		4		
11	5.3	4.6	4.1	4.9	4.2		4	3.7	
12	5.1	4.4	4	4.7	4.1	3.8	4	3.5	
14	4.6	4.1	3.9	4.3	3.8	3.5	3.7	3.3	3.1
16	4.2	4		4	3.6	3.3	3.4	3.1	2.9
18				3.6	3.4	3.2	3.2	2.9	2.8
20				3	3.2	3	2.9	2.8	2.6
22				2.5	2.7	2.8	2.5	2.6	2.5
24				2.1	2.3	2.4	2.1	2.3	2.4
26				1.8	1.9	2	1.8	1.9	2
28				1.5	1.6	1.7	1.5	1.6	1.7
30				1.3	1.4	1.4	1.2	1.4	1.4
32				1.1	1.1		1	1.1	1.2
34				0.9	0.9		0.9	0.9	1
36							0.7	0.8	
38							0.5	0.6	

GENERAL ALL-TERRAIN CRANES

Tadano ATF 40G-2

Lifting Heights

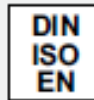



* over rear ** with additional lifting equipment

GENERAL ALL-TERRAIN CRANES

Tadano ATF 40G-2

Lifting Capacities

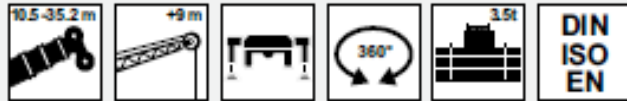



 m	10.5m	15.4m	20.4m	25.3m	30.3m	32.7m	35.2m
3	316	20	20	15.1			
3.5	285	20	20	15.1			
4	258	20	20	15.1			
4.5	232	20	20	15.1	10.3		
5	209	20	20	14.8	10.3		
6	162	16.5	16.1	13.7	10.3	8.9	7.6
7	123	12.6	12.7	12.3	10.3	8.9	7.6
8		10.1	10.2	10.3	9.6	8.8	7.6
9		8.3	8.4	8.5	8.5	8.2	7.6
10		7	7.1	7.1	7.2	7.3	7.1
11		6	6	6.1	6.2	6.2	6.2
12		5.2	5.2	5.3	5.3	5.4	5.4
14			4	4.1	4.1	4.1	4.2
16			3.2	3.2	3.2	3.3	3.3
18				2.6	2.6	2.6	2.6
20				2.1	2.1	2.1	2.1
22				1.7	1.7	1.7	1.7
24					1.3	1.4	1.4
26					1.1	1.1	1.1
28						0.8	0.8
30							0.6
32							0.5

GENERAL ALL-TERRAIN CRANES

Tadano ATF 40G-2

Lifting Capacities

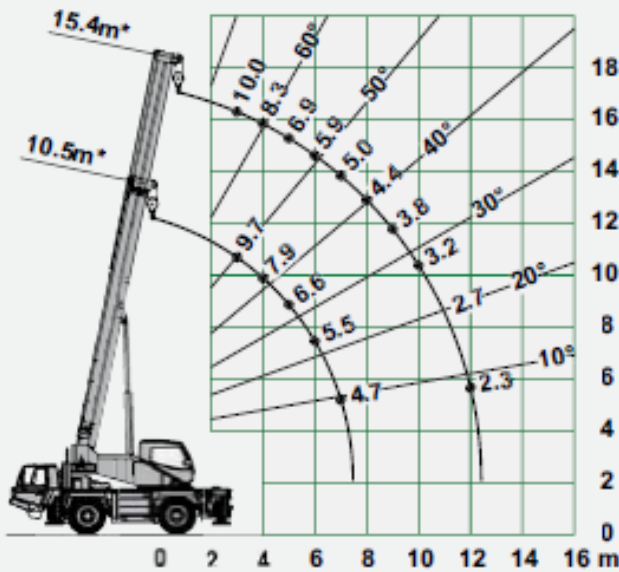


	10.5m + 9m			30.3m + 9m			35.2m + 9m		
	0°	20°	40°	0°	20°	40°	0°	20°	40°
3	6.5								
3.5	6.5								
4	6.5	6.5							
4.5	6.5	6.5							
5	6.5	6.4							
6	6.5	6		5.1					
7	6.5	5.8	4.7	5.1					
8	6.4	5.4	4.5	5.1			4		
9	6	5.1	4.4	5.1	4.6		4		
10	5.6	4.9	4.2	5.1	4.4		4		
11	5.3	4.6	4.1	4.9	4.2		4	3.7	
12	5.1	4.4	4	4.7	4.1	3.8	4	3.5	
14	4.6	4.1	3.9	4.3	3.8	3.5	3.7	3.3	3.1
16	4.2	4		3.4	3.6	3.3	3.4	3.1	2.9
18				2.8	3	3.2	2.8	2.9	2.8
20				2.3	2.5	2.6	2.3	2.5	2.6
22				1.8	2	2.2	1.8	2	2.2
24				1.5	1.7	1.8	1.5	1.7	1.8
26				1.2	1.4	1.4	1.2	1.4	1.5
28				1	1.1	1.2	1	1.1	1.2
30				0.8	0.9	0.9	0.7	0.9	0.9
32				0.6	0.7		0.5	0.6	0.7
34					0.5				0.5

GENERAL ALL-TERRAIN CRANES

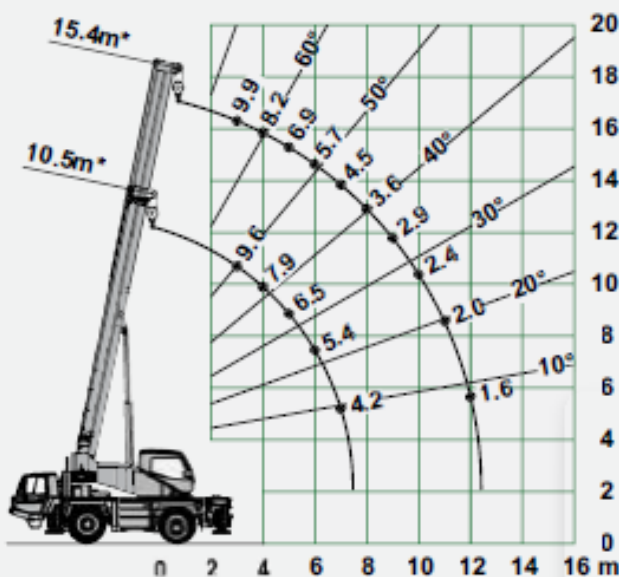
Tadano ATF 40G-2

Lifting Heights & Capacities



Reach (m)	10.5m*	15.4m*
3	9.7	10
3.5	8.8	9.1
4	7.9	8.3
4.5	7.2	7.5
5	6.6	6.9
6	5.5	5.9
7	4.7	5
8		4.4
9		3.8
10		3.2
11		2.7
12		2.3

* superstructure locked



Reach (m)	10.5m*	15.4m*
3	9.6	9.9
3.5	8.7	9
4	7.9	8.2
4.5	7.1	7.4
5	6.5	6.9
6	5.4	5.7
7	4.2	4.5
8		3.6
9		2.9
10		2.4
11		2
12		1.6

* superstructure locked