

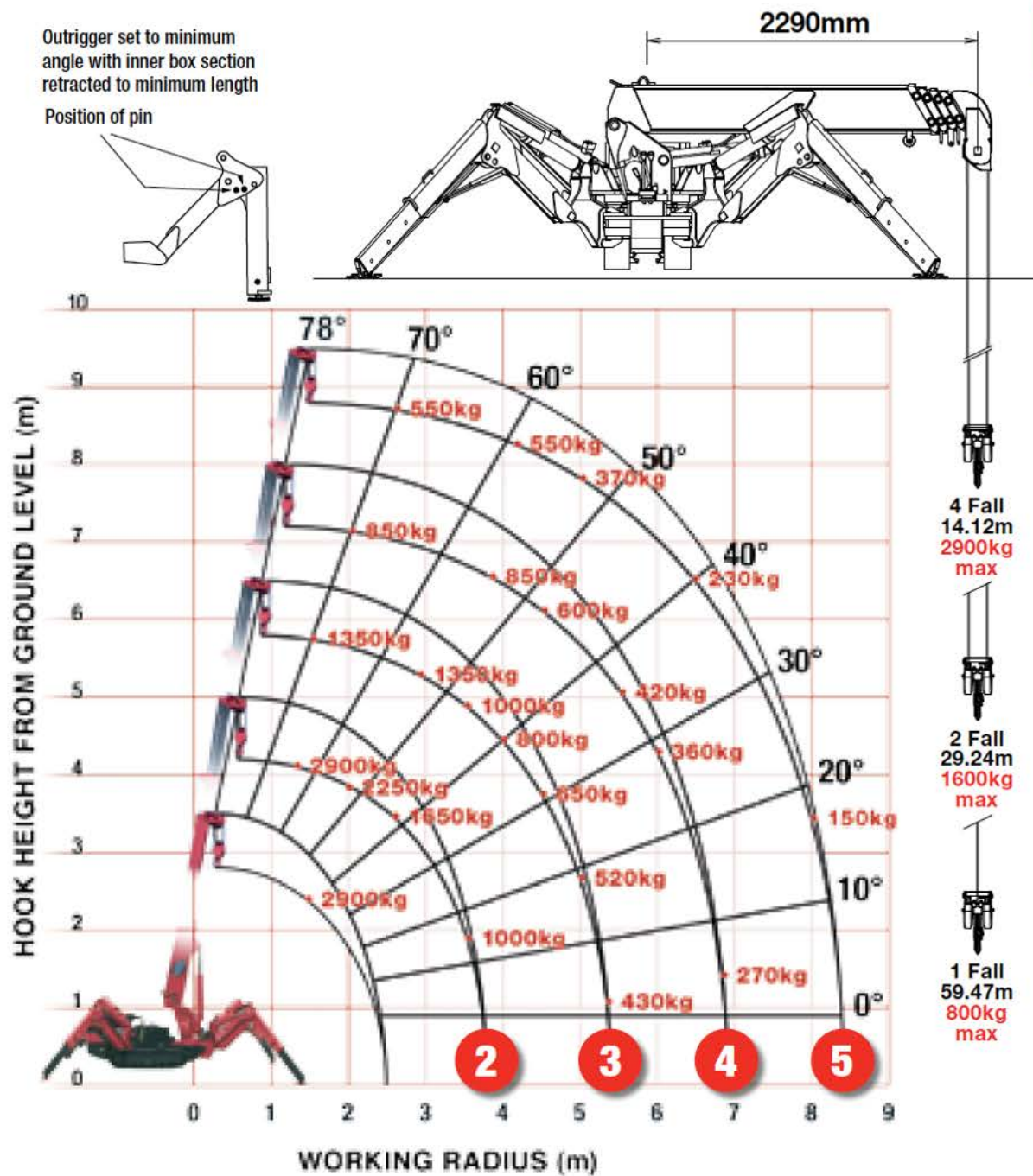
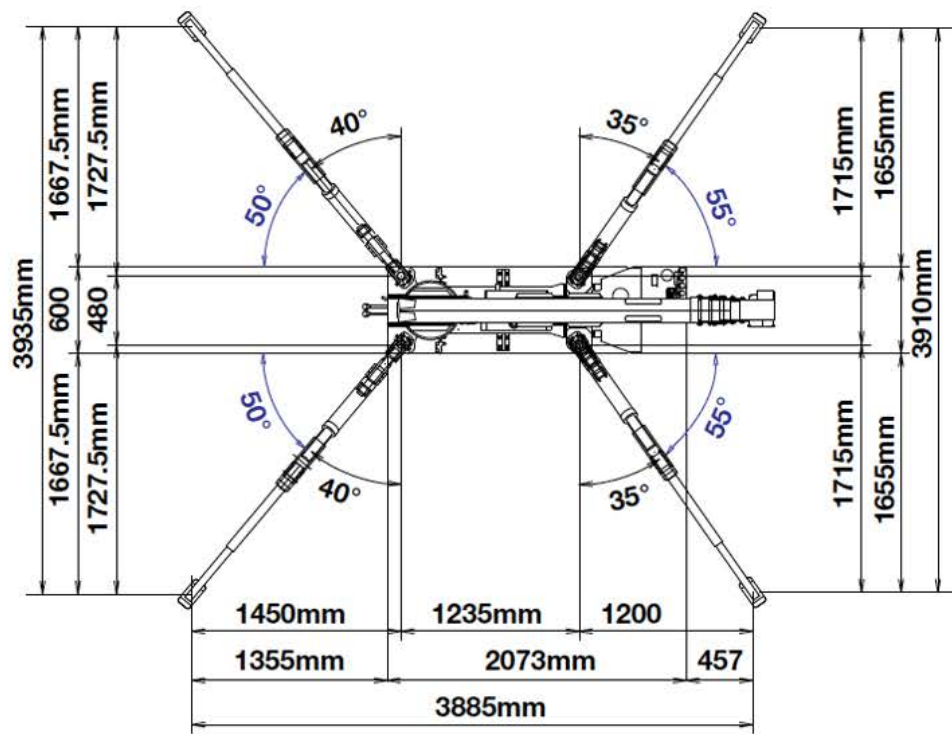
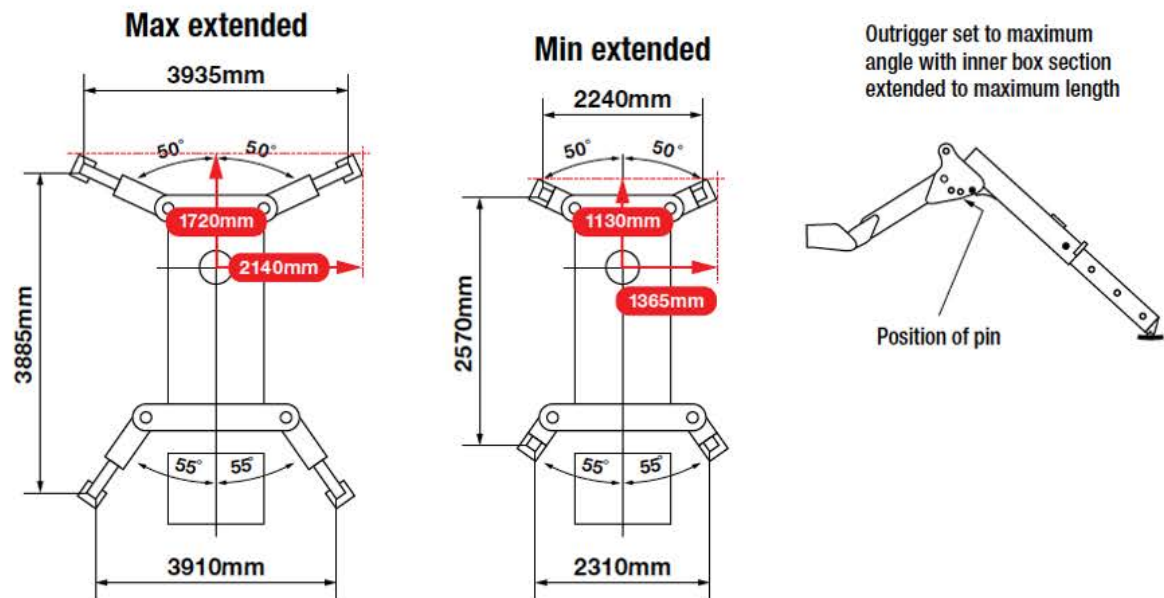
URW-295

[2.9t x 1.4m]

The compact but powerful URW-295 is narrow enough to fit through a standard doorframe and has almost 3 tonnes of lifting power.



It also leads the way technically with an array of innovative safety features including a computer-controlled intelligent voice warning system, the unique UNIC pressure compensation proportional valve and multi-function radio remote control operation.



Crane Specifications

Crane capacity	capacity:	2.9t x 1.4m
Max working radius	max:	8.41m
Max lifting height	approx:	8.8m (9.8m with fly jib, 10.47m with fixed hook)
Rope length	max:	14.12m (4 fall), 29.24m (2 fall), 59.47m (1 fall)
Dimensions	folded:	2690mm (2905mm diesel & electrical dual) (l) x 600mm (w) x 1375mm (h)
Weight	unladen:	1850kg (1950kg with electric option, 1920kg with diesel option, 2090kg with diesel and electric dual option)
Point loadings	Due to the many variables involved, point loadings are only available on request	
Hook speed	approx:	10m/min (with 4 layers and 4 falls)
Telescopic system	boom length: telescoping speed: boom type:	2.53 - 8.65m 6.12m/20 seconds 5 section hydraulically telescoping boom, hexagonal box construction
Derricking angle/speed	approx:	0 - 78°/11 seconds
Slewing angle/speed	approx:	360° (continuous) 1.5 rpm
Traction system	drive: travel speed: gradeability: track ground length: track ground pressure: track width:	hydrostatic, stepless forward and reverse 0 - 2.3km/h ± 20° 1050mm 48kPa (0.49kg/cm²) 180mm
Engine	manufacturer: fuel: maximum output: starting method: tank capacity:	Mitsubishi (Kubota diesel) petrol with LPG and electric options, diesel with electric option 9.6kW (13PS) / 2000min rpm electric and recoil start as standard 6 litres petrol, 9 litres diesel
Electric motor	power: voltage:	3.7kW 400v AC 50/60Hz
Battery crane option	weight: voltage:	2100kg 48v 3.7kW (AC induction motor with controller and on-board charger)
Standard equipment	computer controlled moment limiter (safe load indicator), radio remote control, overwinding alarm, computer controlled intelligent voice warning system, multi-function operation by radio remote control, intelligent throttle activation, automatic hook stow, overload warning alarms, overload warning lamps, working area limitation	
Optional equipment	1 fall hook block, 2 fall hook block, LPG dual power, mains electric dual power (400v), battery powered option, diesel engine, low marking tracks, slew limitation, 300kg capacity small searcher hook, 700kg maximum capacity searcher hook, 700kg maximum capacity fly jib with single part line radio remote control with feedback display (with i3000 SLI) and data logging	